

1

2

3

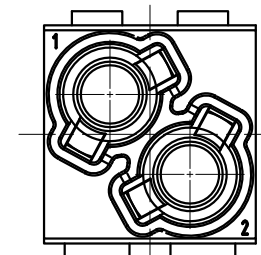
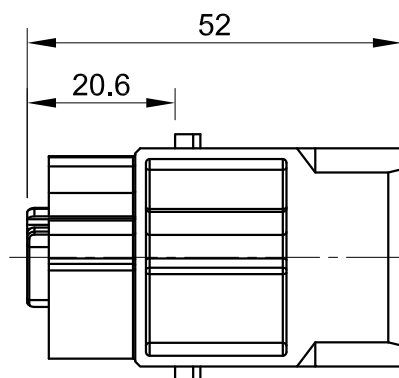
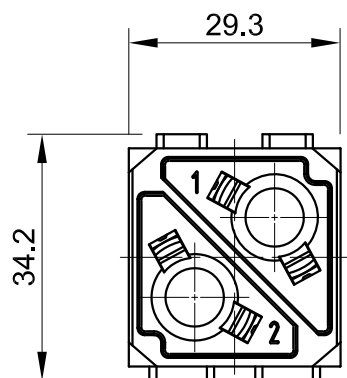
4

5

6

A

A



B

B

Technical data:

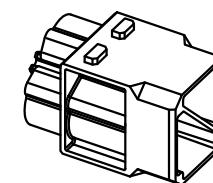
- No. of contact; 2
- Termination method: Crimp termination
- Gender: Male
- Conductor cross-section: 10 ... 35 mm²
- Rated current; 100A
- Rated voltage; 1000V
- Rated impulse voltage: 8kV
- Pollution degree: 3
- Rated voltage acc.to UL: 600V
- Insulation resistance: $\geq 10^{10}\Omega$
- Contact resistance: $\leq 0,3m\Omega$
- Limiting temperature: -40 ... +125°C
- Material(insert): Polycarbonate
- Color(insert); RAL 7032(pebble grey)
- Mating cycles: ≥ 500
- Material flammability class acc. to UL94: V-0
- RoHS: Compliant
- Specifications: IEC61984, EN60664-1

技术数据:

- 针数: 2
- 接线方式: 冷压接针
- 公母类型: 公头
- 导体截面积: 10 ... 35 mm²
- 额定电流: 100A
- 额定电压: 1000V
- 额定脉冲电压: 8kV
- 污染等级: 3
- 额定电压符合UL: 600V
- 绝缘阻抗: $\geq 10^{10}\Omega$
- 接触电阻: $\leq 0,3m\Omega$
- 极限温度: -40 ... +125°C
- 材料(插芯): 聚碳酸酯
- 颜色(插芯): RAL 7032 (卵石灰)
- 插拔次数: ≥ 500
- 材料阻燃性等级符合UL94: V-0
- RoHS: 符合豁免标准
- 规格: IEC61984, EN60664-1

C

C



1:2

D

D



All Dimensions in mm
Original Size DIN A4

Date

2022-4-19

Drawing No.

TC0558402

Rev.

A00

Scale

1:1

Part No.

10 38 002 2100

Created by

Shuxu Huang

Checked by

Yiyi Luo

Page

1/1

InKonn[®]

InKonn (Suzhou) Electric Technology Co.,Ltd.

Type Name

I2M100-002-CM

1

2

3

4

5

6